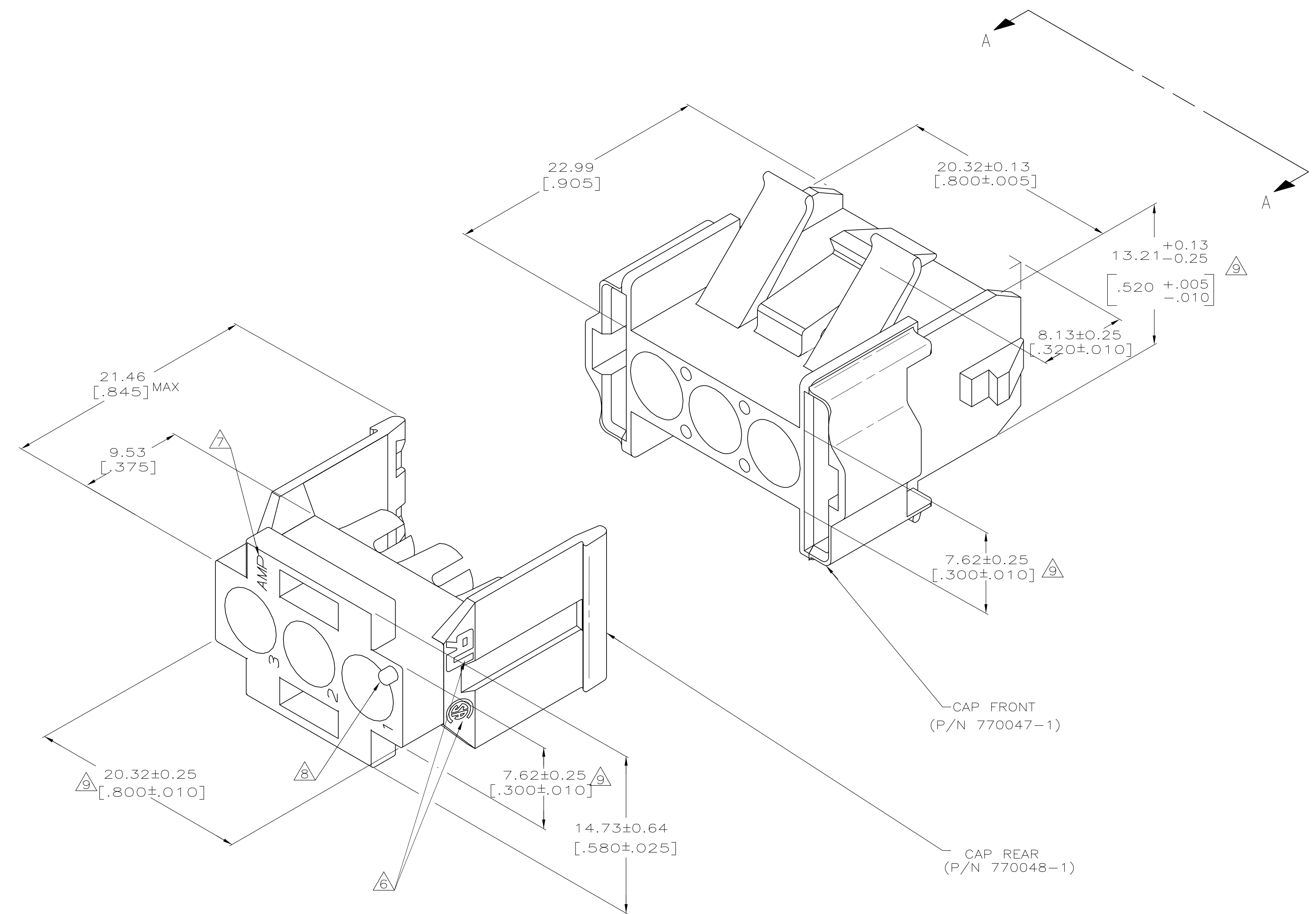
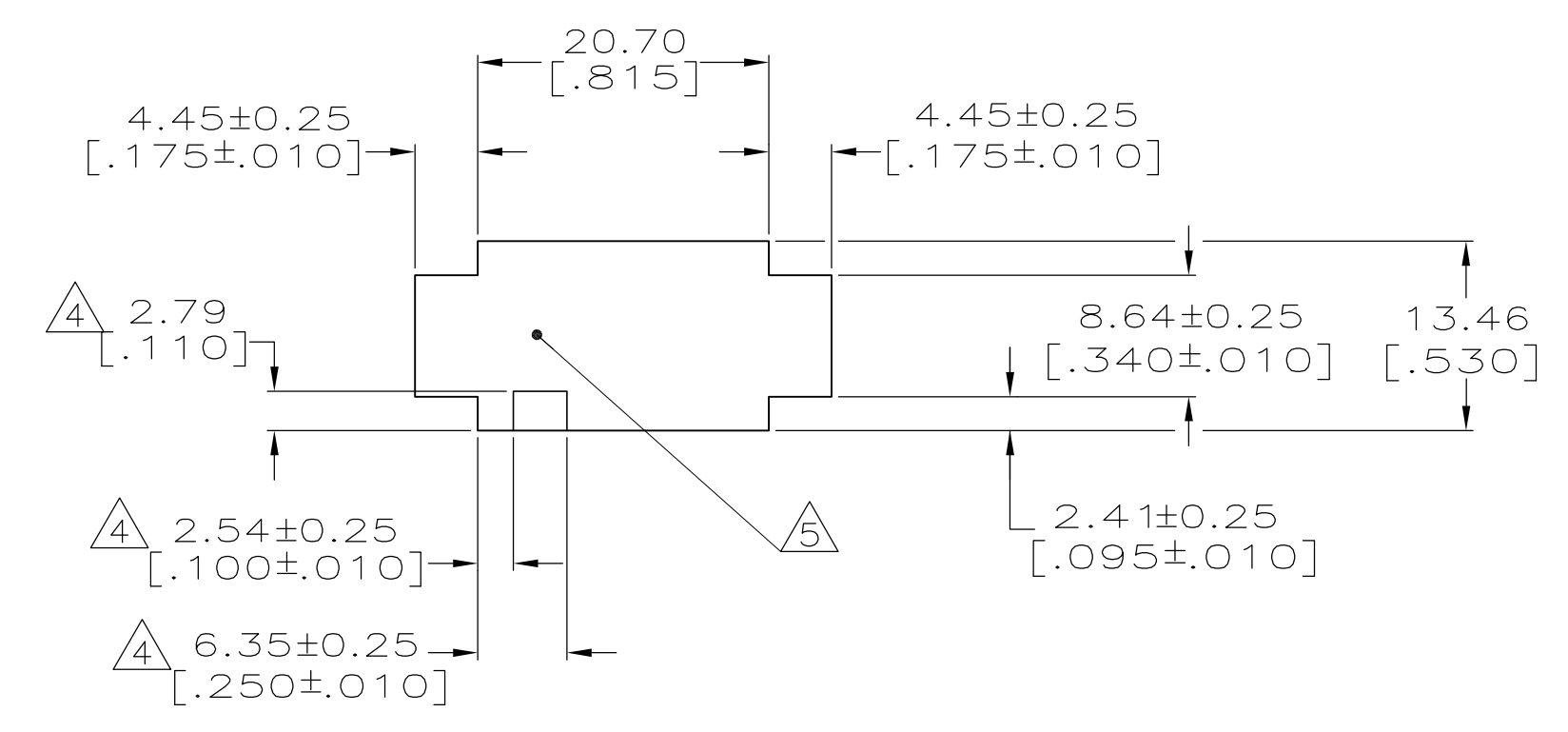


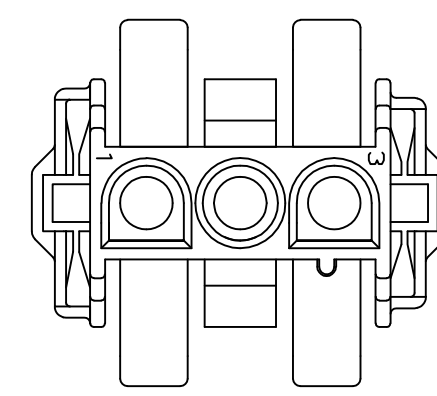
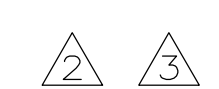
LOC		DIST		REVISIONS			
P	LTR	DESCRIPTION	DATE	DWN	APVD		
H1		REVISED PER ECO-11-004917	11MAR11	RK	HMR		



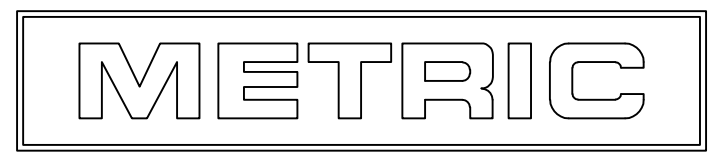
1. BULK PACKAGED, UNASSEMBLED.
- △2 RECOMMENDED PANEL THICKNESS 0.76-2.29 [.030-.090].
- △3 PANEL MUST BE PUNCHED SO THAT THE HOUSING ENTERS THE PANEL IN THE SAME DIRECTION AS THE PUNCH.
- △4 OPTIONAL FOR KEYING HOUSING IN PANEL.
- △5 CIRCUIT NO. 1 LOCATON.
- △6 APPROVAL AGENCY LOGO LOCATED APPROXIMATELY AS SHOWN.
- △7 AMP LOGO LOCATED THIS SURFACE.
- △8 CIRCUIT NUMBER ONE IDENTIFICATION BUTTON AND CIRCUIT IDENTIFICATION NUMBERS ARE EACH LOCATED ADJACENT TO THE APPROPRIATE CIRCUIT CAVITIES.
- △9 DIMENSION INDICATED IS AS MOLDED. ADDITIONAL GROWTH DUE TO SUBSEQUENT MOISTURE ABSORPTION MAY OCCUR.



RECOMMENDED PANEL CUTOUT
(HOUSING ENTRY SIDE)
SCALE 2:1



VIEW A-A
SCALE 2:1



770025-1
PART NUMBER

THIS DRAWING IS A CONTROLLED DOCUMENT.		DWN K. SALMON 1-22-92	PART NO	
DIMENSIONS: INCHES		CHK R. SWING 1-22-92	TE Connectivity	
TOLERANCES UNLESS OTHERWISE SPECIFIED:		APVD M. TRULL 1-22-92	NAME	
0 PLC ± -	1 PLC ± -	CAP HOUSING KIT, 3 CIRCUIT, IN-LINE, UNIVERSAL MATE-N-LOK™ II		
2 PLC ± -	3 PLC ± 0.13 [.005]	APPLICATION SPEC		
4 PLC ± -	ANGLES ± -	SIZE CAGE CODE DRAWING NO		
MATERIAL NYLON,UL94V-0,	FINISH	WEIGHT	A1 00779 C=770025	
CUSTOMER DRAWING		SCALE 5:1	SHEET 1 of 1	REV H1